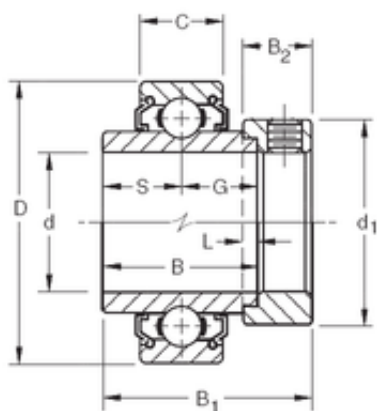




# TIMKEN BEARING-SINGAPORE (PTE)LTD.

## 17,4625 mm x 40 mm x 27,78 mm TIMKEN 1011KLL Insert Bearings Cylindrical OD



Bearing No. 1011KLL

Size	17.4625x40x27.78 mm
Bore Diameter	17,4625 mm
Outer Diameter	40 mm
Width	27,78 mm
d	17,4625 mm
D	40 mm
B	27,78 mm
C	12 mm
d1	28,58 mm
B1	37,31 mm
B2	13,49 mm
G	13,89 mm
L	3,97 mm
S	13,89 mm
Weight	0,122 Kg
Basic dynamic load rating (C)	10,7 kN

1011KLL Bearing 2D drawings and 3D CAD models